



logolabelsltd



LOCKOUT TAGOUT & SAFETY SOLUTIONS



logolabelsltd

logolabelsltd

MANUFACTURER & SUPPLIER OF ALL TYPES OF SIGNS, LABELS & TAGS



T: 0141 779 3574

E: signs@logolabels.co.uk

W: www.logolabels.co.uk

Lockout Tagout

<i>Safety Lockout Padlocks</i>	4
<i>Brass Lockout Padlocks</i>	4
<i>Long Shackle Padlock</i>	5
<i>Di-electric Padlock</i>	5
<i>Brass Safety Padlock</i>	6
<i>Wire Padlock</i>	6
<i>Padlock Caddy</i>	7
<i>Padlock Cabinet</i>	7
<i>Padlock Station</i>	7
<i>Ladder Lockout</i>	7
<i>Security Padlocks</i>	8
<i>Lockboxes</i>	9
<i>Hasps</i>	10
<i>Gate Valve Lockout</i>	12
<i>Ball Valve Lockout</i>	14
<i>Cable Lockout</i>	16
<i>Electrical Lockout</i>	18
<i>Lockout Signs</i>	27
<i>Lockout Stations</i>	28
<i>Advanced Lockout Stations</i>	30
<i>Lockout Stations: Build Your Own</i>	32
<i>Tag Station</i>	33
<i>Lockout Kits</i>	34
<i>Lockout Tags</i>	38



**Do not
operate**

This Lock / Tag may
only be removed by:

Steve Hancock

MT W&E PLC

and Company. 14.11.15

DANGER

**LOCKED
OUT**

DO NOT REMOVE

LOCKOUT TAGOUT

Lockout is a physical method of isolating equipment to prevent it being re-energised or stop the release of any stored energy.

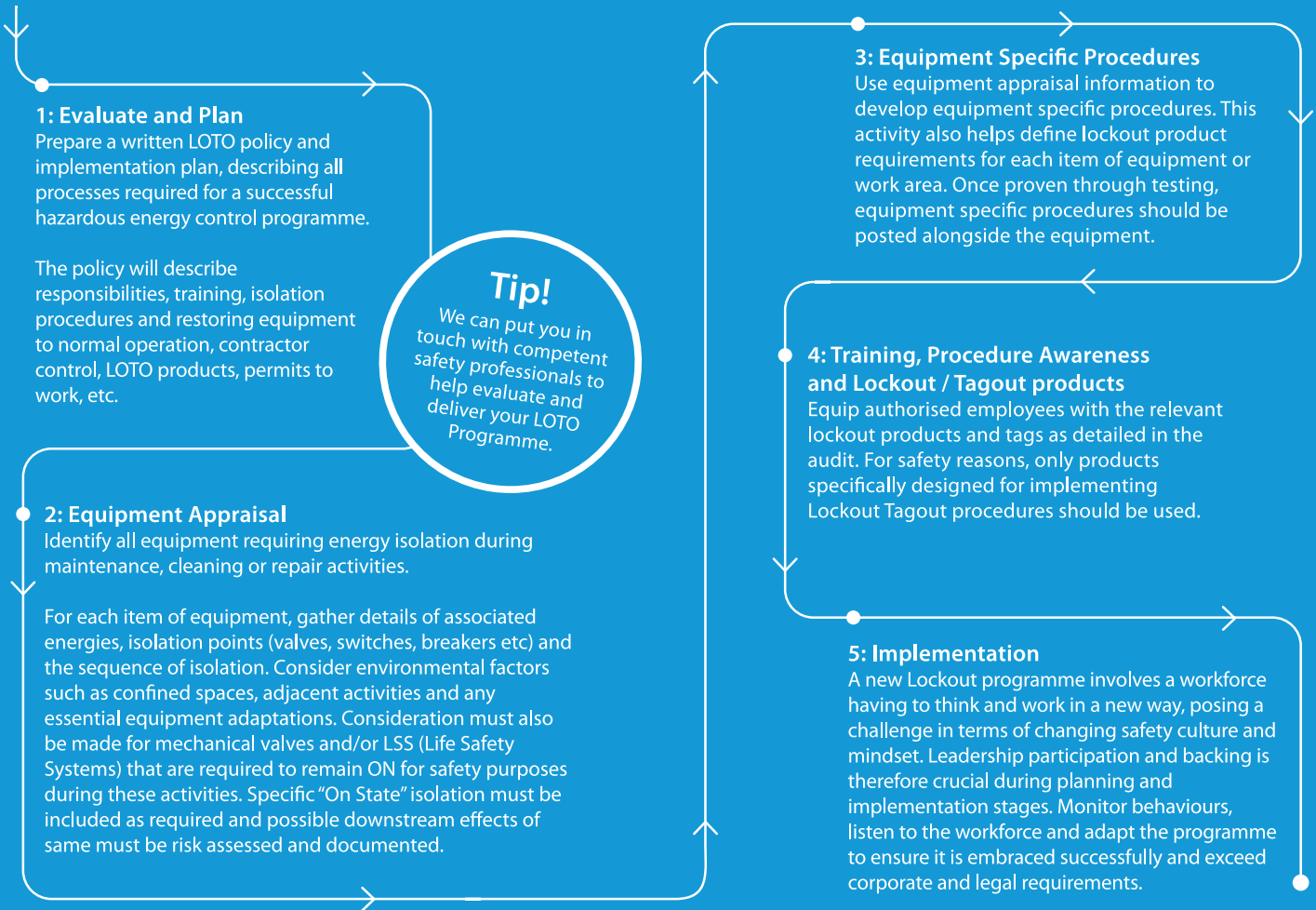
Tagout is a highly visible written warning attached to the locked out device highlighting that the equipment should not be used until the Lockout is removed.

Why Lockout Tagout?

Planned Lockout Tagout Procedures are an effective way of reducing the risks involved when maintaining, cleaning or repairing equipment. Now considered a best practice procedure worldwide, correct implementation can reduce downtime and increase productivity. It helps to ensure worker safety and reduces the risk of employers exposure to liability and prosecution, as well as indirect costs such as repairs to equipment.

How to implement a planned LOTO Programme?

A clearly designed LOTO programme will detail all the necessary steps to ensure equipment energy is safely isolated.



Types of Energy

Dangerous energy sources can take many forms, including:



Electrical Energy

Commonly found powering nearly all workplace equipment.



Hydraulic Energy

Found powering forklifts, cutting equipment and pumps.



Mechanical Energy

Can be found in all machinery with moving parts.



Thermal Energy

In ovens or freezers (hot or cold).



Pneumatic Energy

Most commonly found powering machinery via compressed air or gas.



Potential Energy

Found in compressed springs or suspended weights.

Safety Lockout Padlocks

With a ribbed Nylon body for easy gripping and handling. Compact high security padlocks are individually keyed to differ with a 6-pin lock mechanism which will not release the key until the shackle is closed.

- **6-pin precision-machined cylinder for extra security.**
- **Non-conductive, non-sparking reinforced Nylon body.**
- **Resistant to chemicals and corrosion.**
- **Colour coded for easy identification with a photoluminescent label.**
- **Key retaining feature.**
- **Etched numbers/serials/initials**
- **Individually keyed locks for optimum security.**
- **Each padlock is supplied boxed with 1 key and keyring.**



Description	Code
Red	LOK007-L
Yellow	LOK008-L
Green	LOK009-L
Blue	LOK010-L
Black	LOK011-L
Orange	LOK012-L



Dimensions				
Shackle height (A)	Body height (B)	Body width (C)	Shackle dia (D)	Body depth (E)
40mm	45mm	42mm	6mm	20mm
Each padlock is supplied in a box with 1 key and 1 keyring				

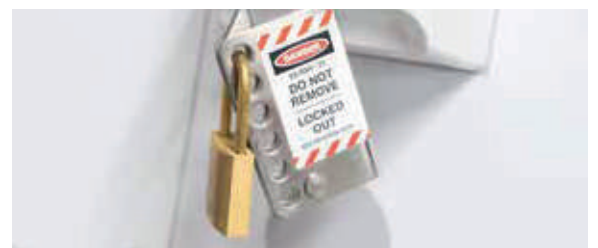


Brass Lockout Padlocks

Brass lockout padlocks are one of the most commonly used padlocks in high risk environments globally and are ideal to implement lockout tagout isolations.

Many industries use them exclusively due to their spark proof, rust proof and high durable qualities.

Colour coding, engraving & steel shackles available upon request. Please contact us with your brass padlock requirements



Dust Cap

Our Brass lock dust caps, have been designed to protect the locks internals in harsh environments. Ensuring the key slot stays clear and free of blockages, extending the locks usability. Permanently fixed to the lock with a smooth 360* turning circle for efficient access.

Available to be attached on all of our standard brass padlocks.



CUSTOMISATION AVAILABLE SAFETY PADLOCKS CAN BE LASER ETCHED WITH NAMES, NUMBERS OR COMPANY DETAILS

Long Shackle Padlock

A long shackle variant of our standard safety lockout padlocks
Ideal for areas where standard length padlocks are too restrictive.

Description	Code
Red	LOK197-L
Yellow	LOK198-L
Green	LOK199-L
Blue	LOK200-L
Black	LOK202-L
Orange	LOK201-L



Dimensions				
Shackle height (A)	Body height (B)	Body width (C)	Shackle dia (D)	Body depth (E)
82mm	45mm	42mm	6mm	20mm
Each padlock is supplied in a box with 1 key and 1 keyring				

Di-electric Padlock

A di-electric variant of our standard safety lockout padlock, with a nylon shackle to be used for an extra layer of protection in areas of electrical hazard.

Description	Code
Red	LOK068
Yellow	LOK263
Green	LOK264
Blue	LOK265
Black	LOK266
Orange	LOK267



Dimensions				
Shackle height (A)	Body height (B)	Body width (C)	Shackle dia (D)	Body depth (E)
40mm	45mm	42mm	6mm	20mm
Each padlock is supplied in a box with 1 key and 1 keyring				

MORE COLOURS AVAILABLE ON REQUEST



IN THE KNOW

WHAT PADLOCK AND KEY DO I NEED?

Padlocks are an essential part of a Lockout Tagout Programme, there are also various types of keying systems that can be used as part of an effective LOTO programme. Choose the type which is suitable for the intended process, bearing in mind its place within the overall Lockout procedure.

PADLOCKS AND KEYING SYSTEMS

The correct keying system for your site will be dictated by LOTO procedures, identified through a LOTO audit. There are varying options listed below:



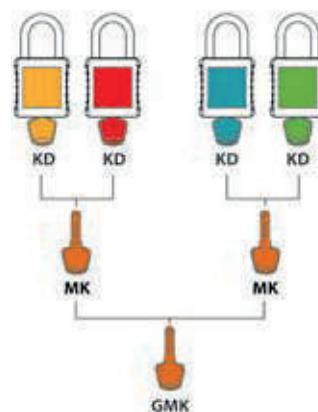
KEYED DIFFERENT (KD)

Each padlock can only be opened using a single unique key.



KEYED ALIKE (KA)

All padlocks in a Keyed Alike team have their own key. That same key can open any padlock within the same team.



MASTER KEYED (MK) & GRAND MASTER KEYED (GMK)

The padlocks in this system each have their own unique key, which can only open the corresponding padlock.

The Master Key for this team can open any of the padlocks within its own team. This can be further extended over multiple teams, with a Grand Master Key able to open any padlock within any team.

All padlocks are supplied Keyed Different (KD). Other key systems are available on request

Brass Safety Padlock

High quality Brass safety Lockout padlock with Stainless Steel shackle.

Supplied keyed to differ, they have the option to be engraved with your own reference number.



Dimensions				
Shackle height (A)	Body height (B)	Body width (C)	Shackle dia (D)	Body depth (E)
55mm	40mm	39mm	6mm	15mm
Each padlock is supplied in a box with 1 key and 1 keyring				

Description	Code
Brass	LOK262

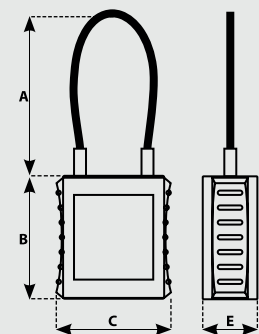
Wire Padlock

A compact padlock with 3mm flexible wire shackle.

Supplied keyed to differ, this padlock is ideal for use on smaller MCB Lockouts or when a standard padlock is unsuitable.



Dimensions	
Shackle height (A)	71mm
Wire length unstressed	146mm
Body height (B)	45mm
Body width (C)	42mm
Shackle dia (D)	3mm
Body depth (E)	20mm
Each padlock is supplied in a box with 1 key and 1 keyring	



Description	Code
Red	LOK185



IN THE KNOW

ENGRAVING AND NUMBERING

To reinforce a key registering programme, safety padlocks can be laser etched with names, registration numbers, company details or other identifying information.



Padlock Caddy

A simple and useful method to carry multiple padlocks. Hooks over a belt or pocket and comes complete with a retractable strap.

Accommodates up to 12 padlocks.

Description	Code
Yellow Padlock Caddy	LOK146



Padlock Cabinet

Red powder coated Steel padlock cabinet with interior racks for the storage of padlocks.

- Stores up to 21 padlocks.
- Quality powder coated Steel.
- Wall mountable.
- Fixings included.
- 2 keys included.

Size (HxWxD)	Code
460 x 390 x 55mm	LOK059



Padlock Station

These powder coated metal padlock stations are an ideal method for the storage and display of Lockout safety padlocks.

Description	Code
6 Padlocks (72 x 126 x 31mm)	LOK143
12 Padlocks (72 x 265 x 31mm)	LOK144
18 Padlocks (72 x 368 x 31mm)	LOK145

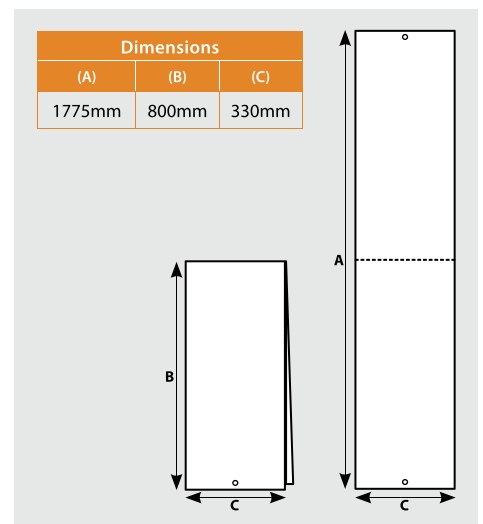


Ladder Lockout

Manufactured from flexible woven PVC, this device is placed over the rungs of a ladder or the steps of other climbing apparatus to prevent its use. The integral eyelet allows it to be locked out with a suitable padlock and tag.



Description	Code
Ladder Lockout	LOK245



Security Padlocks

These padlocks are ideal for general security use and are not for use as part of a LOTO programme.

Blue Jacket Padlock



Regular shackle Brass padlock encapsulated in an injection moulded jacket.

Supplied with warning label and 3 keys.

Size	Code
40mm	LOK070

Laminated Padlock



Supplied with 2 keys.

Size	Code
40mm	SP150P
50mm	SP151P

Brass 'Tri-circle' Padlock



Standard Brass padlocks.

Supplied with 2 keys.

Size	Code
20mm	SP168L
25mm	SP137L
32mm	SP138L
38mm	SP139L
50mm	SP140L
63mm	SP169L

Weather Resistant Padlock



Supplied with 2 keys.

Size	Code
40mm	SP160P

Discus Padlock



Supplied with 2 keys.

Size	Code
70mm	SP165P



Lockboxes

Provision of a safe location to store keys and other activation devices during maintenance or repair.

Once equipment has been isolated and made safe, any keys or other activating equipment can be stored safely in a Lockbox to prevent accidental re-energisation. Multiple padlocks can be affixed to the Lockbox which all must be removed before gaining access to the contents.



Lockbox

Red powder coated Steel Lockbox for storage of keys or other machine activation devices.

Once a machine has been isolated and made safe, its keys are placed in the Lockbox; each authorised person working on the machine then applies their own padlock to the Lockbox, ensuring the keys cannot be accessed until every authorised user is satisfied the machine is safe.

- **13 padlock fixing holes.**
- **Carry handle on top.**



*Padlocks not included

Size (HxWxD)	Code
155 x 255 x 100mm	LOK015

Compact Lockbox

A compact version of the Lockbox,

Suitable for up to 7 padlocks.



Size (HxWxD)	Code
155 x 115 x 110mm	LOK150

Wall Mount Lockbox

A compact Lockbox suitable for wall fixing or use as a mobile unit.

Suitable for up to 15 padlocks.



Size (HxWxD)	Code
258 x 160 x 85mm	LOK169



Hasps

When more than one padlock needs to be fitted to an isolation point a hasp can be fitted to expand the number of Lockout points available. The design of a hasp ensures that all the padlocks need to be removed before the hasp can be detached.



Standard Hasps



Manufactured from hardened powder coated Steel, this hasp utilises a simple scissor action to Lockout an isolation point.

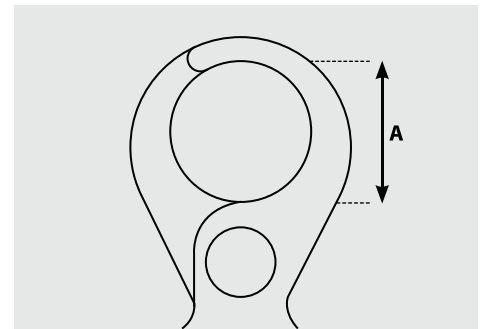
The 25mm version has a double locking arrangement whilst the 38mm is a single locking system.

Description	Code
25mm	LOK048
38mm	LOK069

Manufactured from high tensile Steel sheet which has in turn been electro-plated to prevent corrosion.

The padlock fixing section is Vinyl coated to improve grip and provide greater visibility.

Description	Code
25mm	LOK044
38mm	LOK045



Hasp Dimensions			
Description	Jaw Size (A)	# Of Holes (Padlock)	Padlock Hole dia.
Standard	25mm	6	9mm
Standard	38mm	6	9mm
Vinyl Coated	25mm	6	10mm
Vinyl Coated	38mm	6	10mm

Aluminium Hasps



Manufactured from Aluminium with injection moulded Nylon grip. The hasp jaws are rounded to provide easy fixing on smaller isolation points and Lockout devices.

Suitable for 6 padlocks with a maximum shackle diameter of up to 8mm.

Description	Code
25mm	LOK191
38mm	LOK192

Stainless Steel Hasp



Manufactured from Stainless Steel and available in powder coated black/yellow.

Suitable for 6 padlocks with a maximum shackle diameter up to 8mm.

Description	Code
Black / Yellow	LOK129
Stainless Steel	LOK261

Die Cast Steel Hasp



Corrosion resistant Die Cast Steel Hasp with drop down opening system.

Suitable for 3 padlocks with a shackle diameter up to 8mm.

Description	Code
Steel	LOK163

Extra Large Hasps



(24 Hole Hasp shown).

For use in situations where multiple users need to lock out equipment.

Manufactured from hardened powder coated Steel.

Description	# Of Holes	Code
25mm	12 Holes	LOK133
25mm	24 Holes	LOK134

Dual Lockout Hasps



This dual scissor action hasp has a Steel body with a powder coating to prevent corrosion. The Aluminium pivot provides smooth movement. The two different jaw sizes ensure ultimate adaptability when Lockout conditions vary.

Description	Code
Dual Lockout	LOK047

Dual Lockout Hasp Dimensions	
Inside Height (A)	31mm
Inside Width (B)	45mm
Inside Height (C)	18mm
Inside Width (D)	20mm
# Of Holes (Padlock)	6
Padlock hole dia.	11mm

Dielectric Lockout Hasp



Non-conductive reinforced Nylon hasp which opens using a pull and spring method.

With a shackle thickness of 6mm, the hasp can be locked out by up to 6 padlocks.

# Of Holes	Code
6 Holes	LOK127



Our premier Dielectric Lockout Hasp utilises a unique swing lock system to securely fasten the thread.

Available in 3mm and 6mm thread sizes, each has 4 integral holes for multiple padlock use.

# Of Holes / Thread Size	Code
4/3mm	LOK119
4/6mm	LOK120



3 different size options available.

Manufactured from reinforced Nylon, these hasps are tough, flexible and have the added benefit of being completely non-conductive.

Accepts padlocks with a shackle diameter up to 9mm.

# Of Holes / Thread Size	Code
3/3mm	LOK053
3/6mm	LOK054
6/6mm	LOK046

Sign Hasps

This hasp combines the benefits of a standard hasp and tag simultaneously.

Manufactured from powder coated Aluminium.

Supplied with spare label.



Similar to the first hasp, this version has a smaller head allowing application in less accessible locations.

Available in 3 sizes.



# Of Holes	Code
6 Holes	LOK130
8 Holes	LOK131
10 Holes	LOK132

Code
LOK049

Sign Hasp Dimensions			
Inside height. (A)	Inside height. (B)	# Of Holes (Padlock)	Padlock Hole dia.
43mm	81mm	10	8mm

Sign Hasp Dimensions	
Inside Height. (C)	25mm

Gate Valve Lockout

A simple solution for isolating gate valves. Once the valve is in the appropriate position, simply slip the Lockout over the top of the handle, rotating freely around the valve stem and thus preventing access and movement of the valve.

The different sizes cover the most commonly used valve diameters. Where a Gate Valve Lockout cannot be used due to fitting or other restraints, consider using a Cable Lockout system to isolate the valve

- Resistant to cracking and abrasion.
- Dielectric properties.
- Rotates freely around valve handles.
- Resistant to extreme temperatures.
- Suitable for hasps and padlocks.
- Available in various sizes.



IN THE KNOW

USING A GATE VALVE LOCKOUT

Slip the Lockout over the top of the valve handle. Once in position the cover will rotate freely thereby preventing the valve from turning.

DIRECTIONS FOR USE:



STEP 1

Ensure the valve is in the required locked off position (on/off).
Select the appropriate sized Lockout for the gate valve.



STEP 2

Place the Lockout device over the valve wheel and close, ensuring it can rotate freely around the wheel.



STEP 1b (Optional)

Optional clip out centre. Please specify if you would like the Lockout with pop out centre when placing your order.

(For use on valves with a rising stem).



STEP 3

Secure Lockout with a safety padlock and attach a tag to communicate your chosen safety message. Use a hasp if more padlocks are required.

Keep your Lockout Tagout equipment easily accessible
Keeping your workplace tidy.



FIND THE FULL RANGE OF LOCKOUT STATIONS ON PAGE 28

Gate Valve Lockout

Comprising of 2 flattened half moons with a hollow centre. Hinged at one side, they are placed over the valve and then closed, ensuring that the valve wheel is tamper-proof.

Use a hasp if more than one padlock is required to Lockout the device.

Please ask if you require the Gate Valve Lockout with a clip out centre.



Millimetres	Inches	Code
25 - 63.5mm	1" - 2 1/2"	LOK001
63.5 - 127mm	2 1/2" - 5"	LOK002
127 - 165mm	5" - 6 1/2"	LOK003
165 - 254mm	6 1/2" - 10"	LOK004
254 - 355mm	10" - 14"	LOK005

Dimensions	(A)	(B)	(C)	(D)	(E)
25 - 63.5mm	70	32	76	38	N/A
63.5 - 127mm	130	34	140	44	33
127 - 165mm	170	41	177	50	53
165 - 254mm	257	50	267	63	70
254 - 355mm	355	63	368	74	74

(A) Inside diameter
(B) Inside depth
(C) Outside diameter
(D) Outside depth
(E) Inner hole diameter

Extra Large Gate Valve Lockout

Our largest sized Gate Valve Lockout is suitable for valve handles with a diameter of 330mm up to 450mm. It has an integral clip out centre and a built in facility to use up to 4 padlocks without the need for a hasp.

When not in use one side of the Lockout fits within the other for transportation and storage.

Millimetres	Inches	Code
330 - 450mm	13" - 18"	LOK204



Dimensions	(A)	(B)	(C)	(D)	(E)
330 - 450mm	470	75	475	90	90

(A) Inside diameter
(B) Inside depth
(C) Outside diameter
(D) Outside depth
(E) Inner hole diameter
All sizes in millimetres

Adjustable Gate Valve Lockout

2 separate pieces which slide over the valve and lock together.

Fits valve hand wheels between 25.5mm and 165mm in diameter.

Millimetres	Inches	Code
25.5 - 165mm	1" - 6 1/2"	LOK006



Ball Valve Lockout

This Lockout device is placed over the top of the ball valve to prevent the valve handle from being turned. Once in the correct isolated position, the handle of the valve is trapped within the body of the Lockout, preventing the handle from being operated.



IN THE KNOW

USING A BALL VALVE LOCKOUT

Once in position, the handle of the valve is trapped within the body of the Lockout, preventing the handle from being operated.

DIRECTIONS FOR USE:



STEP 1

*Turn the valve handle to the correct position,
Either on or off.*



STEP 3

Move slider section down the shaft of the Lockout until tight against the valve body.



STEP 2

Lockout the device by placing the main body over the top of the valve handle. Ensure the valve handle sits inside channel.



STEP 4

Insert a padlock or hasp through the most appropriate hole which keeps the slider secure.

PLEASE NOTE:

Holes on the slider section have a staggered repeat which ensures that at least one hole will be tight when placed against the valve. If more than one padlock is required then a hasp should be used.



Ball Valve Lockout

This Lockout device is placed over the top of the ball valve to prevent the valve handle from being turned.

3 sizes available.

Size	Code
9.5 - 31mm	LOK023
32 - 63mm	LOK024
50 - 203mm	LOK025



Butterfly Valve Lockout

When slid into position the wedge on the slider section prevents the compression handle being squeezed, preventing operation of the valve.

Working in a similar way to the standard Ball Valve Lockouts, the wedge on the slider section sits between the compression handle and lever, preventing operation.

Size	Code
8 - 45mm	LOK018



Flange Ball Valve Lockout

Once the flange ball valve is in the desired position and the handle removed, this Lockout device fits over the top of the stem ring.

The two sections of the device slide together over the top of the stem, ensuring it is suitable for various sizes of valves.

Hole size: 46 x 38mm

Size	Code
150 x 220 x 70mm	LOK186



IN THE KNOW

DIRECTIONS FOR USE:

STEP 1



STEP 2



STEP 3



Cable Lockout

Cable Lockouts are ideal when there is a need to Lockout multiple energy sources with one device or when the design or placement of the energy source prevents other types of Lockout being used. Use the flexible cable to tie off the energy source and then secure using the grip handle. The handle traps the cable and prevents it from becoming loose.

Multiple padlocks can be used on the handle if required.

Multi-Purpose Cable Lockout

This Cable Lockout has been ergonomically designed to fit the hand, making placement and use fast and simple.

Route the cable where necessary to Lockout the device then feed the cable down the centre of the open Lockout. When the cable is tight and the source is locked out, squeeze the handle closed and apply padlock.

Available in Vinyl coated Steel and Nylon cable versions.

Cable Type	Code
2.5m Steel Core (Blue)	LOK013
2.5m Nylon Core (Yellow)	LOK014



Retractable Cable Lockout

This unique Cable Lockout has an integral rewinding mechanism, pulling the cable taut once it has been routed to Lockout the equipment. It can house up to 2 padlocks of a maximum diameter of 7mm.

Dimensions	Cable Length	Cable diameter	Code
110 x 110 x 40mm	1.8m	2mm	LOK217



IN THE KNOW

DIRECTIONS FOR USE:

STEP 1

Pull out the cable and route it through the equipment to Lockout the device. Feed the cable back to the Cable Lockout and place the loop around the hook.



STEP 2

Push the winding button and the cable will automatically retract, pulling it tight.



STEP 3

Push in the black grip handle to lock the cable in place. Affix up to 2 padlocks on the unit (more can be fitted using a hasp) and Tagout as appropriate.



PLEASE NOTE: To remove, push in the black grip handle to release the cable.

Heavy Duty Cable Lockout

A heavy duty Cable Lockout that can be applied to large valves. Suitable for the most extreme weather conditions including offshore installations.

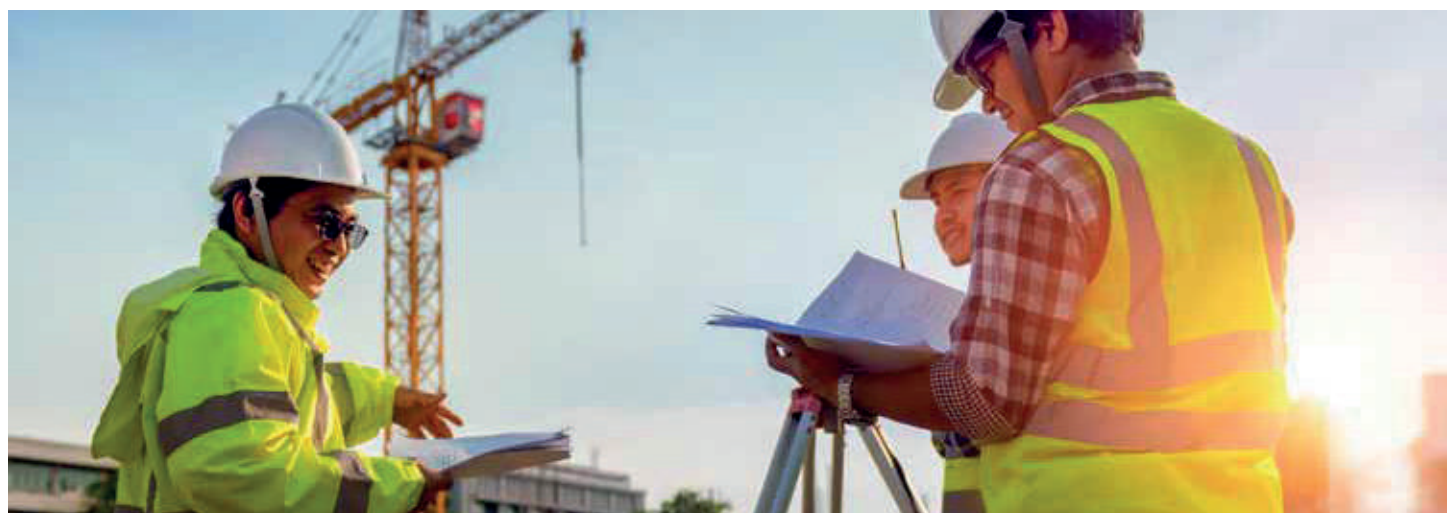
Due to its metal construction and Stainless Steel nut this Lockout provides reliable and corrosion resistant use.

(Please note that the Stainless Steel cable is supplied separately).

Description	Code
Lockout Only	LOK135
2m Stainless Steel Cable	LOK136
5m Stainless Steel Cable	LOK137



VIEW
OUR FULL
RANGE OF
LOCKOUT
TAGS ON
PAGE 38



Electrical Lockout

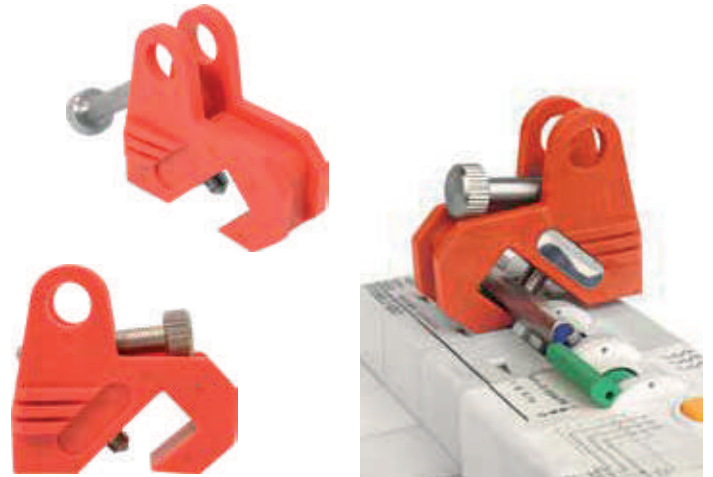


Universal Mini Circuit Breaker Lockout

This universal MCB Lockout has been designed to fit almost any size of MCB, regardless of size or the position of the holes on the breaker.

Simply turn off the breaker and place the Lockout over the switch. Use the thumbscrew to tighten the internal grub screw onto the switch, locking the unit into place.

The thumbscrew will then fold down on its integral hinge, allowing a padlock to be fitted preventing access to the thumbscrew.



Clamp Size	Code
10 x 20mm	LOK043

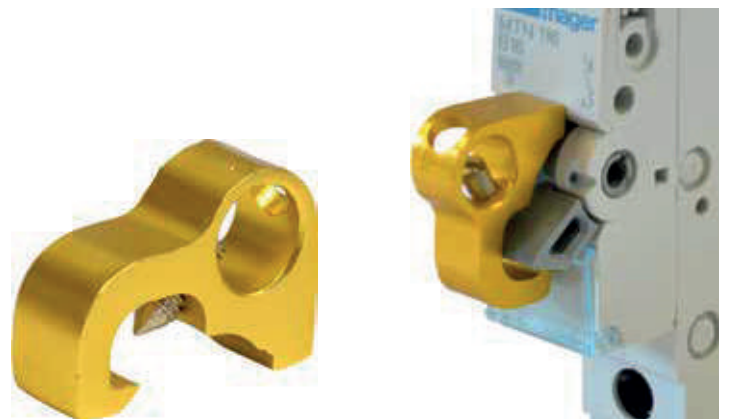
Universal Mini MCB Lockout

Our smallest MCB toggle is easy to use - simply place over the breaker and tighten the internal grub screw.

Once secure fit a padlock or appropriate hasp through the hole to prevent unauthorised removal.

Maximum clamping size $\leq 6\text{mm}$.

Clamp Size	Code
$\leq 6\text{mm}$	LOK161



Universal 'Tool Free' MCB

This MCB lockout device utilises a thumb-screw for easy 'no tools' installation and is suitable for use on virtually all ISO/DIN circuit breakers. It can be fitted vertically or horizontally, and is small enough to be used side by side on adjacent breakers.

Simply lift up the cover and fit the unit onto the MCB toggle when in the OFF position, screw down the thumbscrew tight and close the cover, locking out the unit with a padlock. The device also has 2 locking options providing flexibility when applying a padlock either vertically or horizontally.

Clamp Size	Code
8 x 15mm	LOK277



Mini Circuit Breakers

Our range of miniature circuit breaker (MCB) lockouts have been designed to fit most modern single and multiple pole miniature circuit breakers. The lockout prevents the circuit breaker toggle from being turned on, use appropriate padlock to prevent unauthorised removal.

Due to the size of these MCB lockouts, should you need to use a hasp to increase the number of padlocks we recommend the di-electric hasp (LOK053) or wire padlock (LOK185). All of the following MCB lockouts can be locked out using a single safety padlock with a maximum shackle diameter of 7mm.



Clamp Size	Code
'Pin Out'	LOK205
'Pin In'	LOK206
'Pin Out Wide'	LOK208
Tie Bar Lockout	LOK207



IN THE KNOW

PIN OUT

Designed to fit most popular breakers up to 60 Amp.



LOK205

PIN IN

Designed to fit most popular breakers up to 60 Amp.



LOK206

PIN OUT WIDE

This MCB has an extra wide body to fit breakers greater than 60 Amp.



LOK208

TIE BAR

Adjustable thumb wheel operation fits larger or multi-pole circuit breakers connected with a cross bar. Requires no holes in the breaker to fit.



LOK207

Lockout Signs

Highly visible signs for use as a reminder to adhere to Lockout procedures



Universal MCB Lockout

A universal Lockout which is fitted using an internal grub screw or thumb turn screw.

Suitable for single or multi-pole breaker.

Width	Code
10mm	LOK121
10mm	LOK122
22mm	LOK141



LOK121



LOK122



LOK141

Universal MCB Lockout

Fitted using an internal grub screw. This version is suitable for most Siemens style branded circuit breakers. Maximum clamping size $\leq 5\text{mm}$.

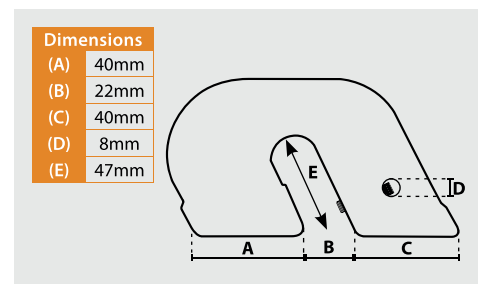
Clamp Size	Code
6 x 4mm	LOK138



Large MCB Lockout

Fitted using an internal grub screw, this universal Lockout is suitable for larger circuit breakers and can be fitted to toggles $\leq 35\text{mm}$ in depth and 40mm wide.

Clamp Size	Code
$\leq 35\text{mm} \times 40\text{mm}$	LOK142

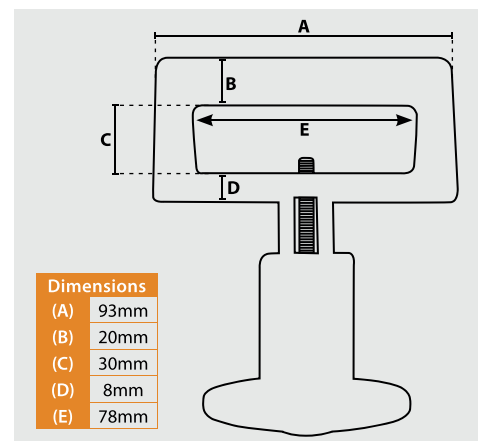


3 Phase Circuit Breakers Lockout

Designed for 3 phase breakers, this large Lockout fits over the switch and then the screw is tightened using the clock style section. When tight the clock section is locked to the main body through a sliding section fitted to the main body.

Will accept 3 separate padlocks with a shackle diameter up to 8mm .

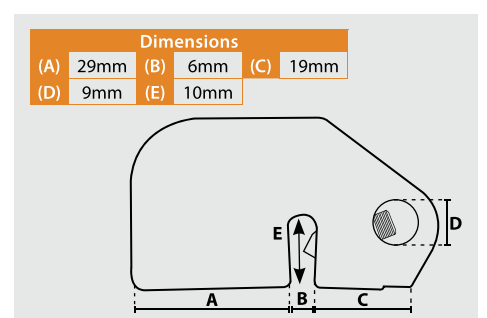
Clamp Size	Code
77 x 25mm	LOK055



Fuse Lockout

Fitted using an internal grub screw, the universal Fuse Lockout is suitable for use on fuse holders from 20 Amp to 400 Amp, manufactured from Nylon. Maximum clamping size $\leq 5\text{mm}$.

Clamp Size	Code
5 x 9mm	LOK140

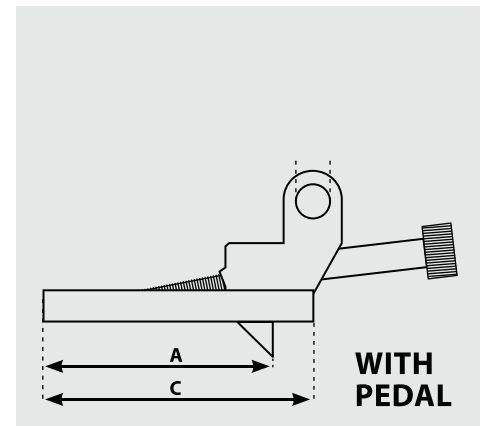


Medium Circuit Breaker Lockout

For use on medium sized circuit breakers, turn the circuit breaker into the off position and place the Lockout over the toggle switch. Tighten the screw thread until tight to the toggle with the integral pedal sitting into the housing of the breaker to prevent removal.

Maximum toggle width: 20mm

Description	Code
With Pedal	LOK209

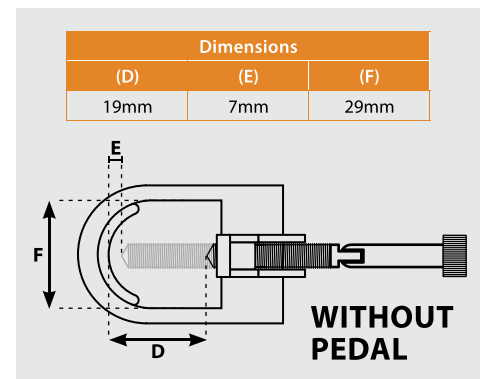


Multi-Function Circuit Breaker Lockout

Fits on top of a variety of push button breakers. This unit traps the button to help prevent it being pushed. Designed primarily as a visual deterrent to prevent accidental reactivation of the circuit.

Maximum toggle width / height: 20mm

Description	Code
Without Pedal	LOK210



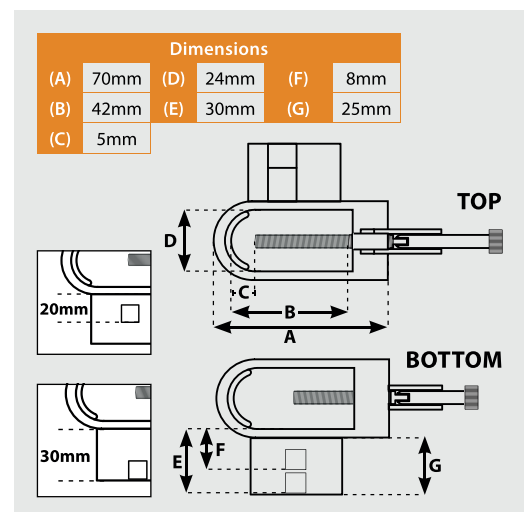
Large Circuit Breaker Lockout

Designed to fit on the largest circuit breakers. Turn the circuit breaker into the off position and place the Lockout over the toggle switch. Tighten the screw thread until tight to the toggle with the integral pedal sitting into the housing of the breaker to prevent removal.

This unit is available in 2 sizes to allow for fitting to various sizes of breaker.

Maximum toggle height: 20mm - 30mm

Description	Code
Small (20mm)	LOK211
Large (30mm)	LOK212



Plug / Pneumatic Lockout

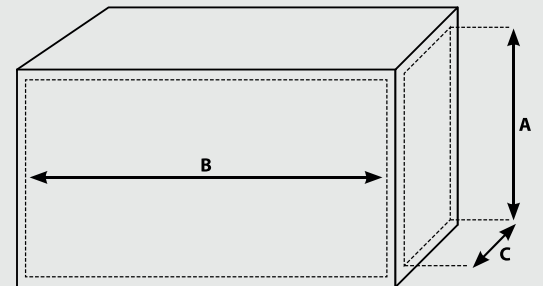
Manufactured from industrial reinforced Polystyrene, the unit has been developed to completely enclose electrical plugs to prevent a machine being energized. The plug sits inside the unit with the cable being fed through an access hole.

Small Unit: Suitable for a variety of electrical connections up to 40mm diameter. Accepts up to 4 safety padlocks.

Large Unit: Suitable for standard and larger electrical plugs, including 3 phase connectors. It also has 4 holes of 3 different sizes suitable for pneumatic male air hose connectors. Accepts for up to 4 safety padlocks.



Dimensions	Small	Large
Inside height (A)	43mm	85mm
Inside width (B)	81mm	155mm
Inside depth (C)	43mm	85mm
Padlock Hole (dia.)	8mm	8mm
Electrical access Holes (dia.)	1 @ 13mm	1 @ 11mm 1 @ 19mm
Pneumatic access Holes (dia.)	-	1 @ 7.5mm 2 @ 9.5mm 1 @ 12mm



Description	Code
Small (4 Holes)	LOK029
Large (4 Holes)	LOK030

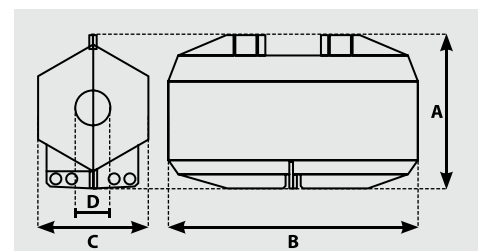
Electrical Plug Lockout

Manufactured from Polypropylene, the hexagon design opens up in two halves and is suitable for a variety of industrial plugs.

Small Unit: Can accommodate 2 padlocks.

Large Unit: Can accommodate 4 padlocks.

Accepts padlocks with a shackle diameter of 7mm or less.



Dimensions	Small	Large
(A) height	51mm	83mm
(B) width	89mm	178mm
(C) depth	51mm	83mm
(D) circle dia	13mm	25mm
# of holes	2	4
Inner height	42mm	74mm
Inner length	80mm	165mm

Description	Code
Small (4 Holes)	LOK188
Large (4 Holes)	LOK190



Electrical Cylinder Lockout

This large Electrical Plug Lockout has 2 interlocking cover plates allowing plugs with various sizes of cable to be inserted.

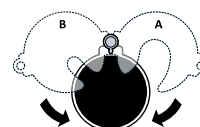
Interior size of 84mm dia. x 150mm and will accept cable widths up to 34mm dia.

Description	Code
97mm dia x 160mm	LOK058

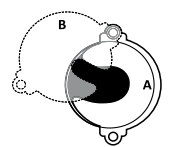


IN THE KNOW

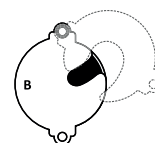
1. Shown with both plates open allowing insertion of the plug.



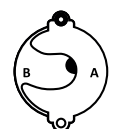
2. Shown with cover plate A in place giving a cable access hole of 34mm.



3. Shown with cover plate B in place giving a cable access hole of 16mm.



4. Shown with both plates in place giving a cable access hole of 10 x 15mm.



Switch and Socket Cover

Ensure vital equipment cannot be accessed by locking off the socket at the wall outlet. This Lockout is suitable for standard UK single sockets, and can be used for switches, power sockets, network points etc.

To fit, isolate the power to the outlet, loosen the screws and place the cover behind the faceplate. Re-tighten the screws pulling the cover into place. To use cover with plug sockets, turn the cover 90°. Up to two padlocks can be fitted, if more are needed consider using a suitable hasp.

Note: Cable gaps are located at the side and may not be suitable for thicker/rigid cables.

Size	Code
Single Gang	LOK215

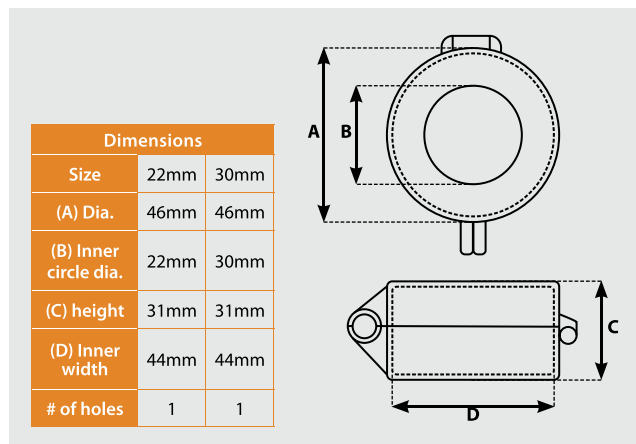


Button Lockout

Manufactured from Glass Resin Polycarbonate, these Lockouts permanently fit over the stem of the button and adhere to the back panel.

Available in two sizes, they can be locked out using our standard padlocks or a suitable hasp.

Hole Diameter	Code
22mm	LOK193
30mm	LOK194



Push Button Lockout

Designed to encapsulate standard push buttons, this Lockout comes with a locking cap to ensure the enclosure cannot be removed without fully removing the padlock.

Small: 75mm diameter by 40mm high, with a 30mm hole to sit around the foot of the button.

Large: 70mm diameter by 80mm high, with a 30mm hole to sit around the foot of the button.

Size	Code
Small	LOK125
Large	LOK126

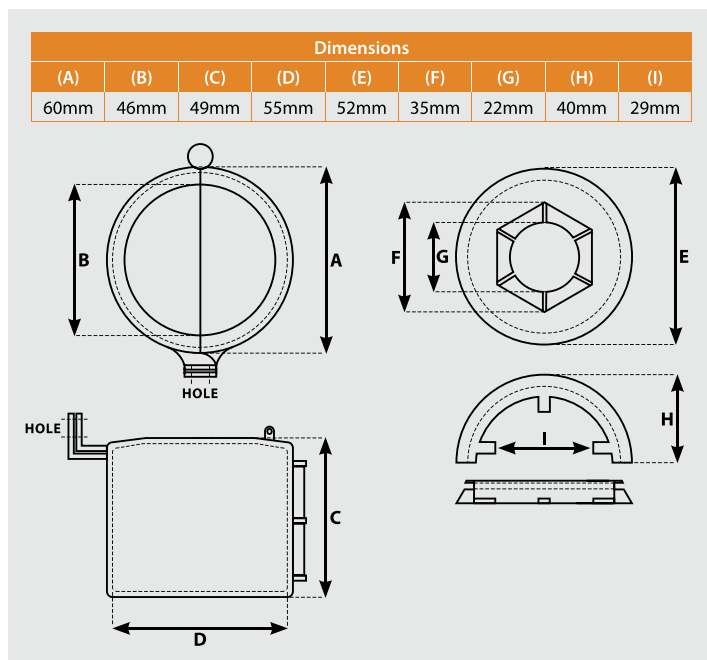


Button Lockout

Manufactured from Glass Resin Polycarbonate, this Lockout unit fits around the stem of a button which can then be locked out using a standard padlock. This unit can be fixed either permanently or temporarily. To fit permanently, use the circular section around the stem of the button and shut the cover in place when needed.

To fit temporarily, use the semi-circular section to sit round the stem prior to fitting the cover and remove when finished.

Description	Code
Button Lockout	LOK195



IN THE KNOW

STEP 1



STEP 2



STEP 3



STEP 4

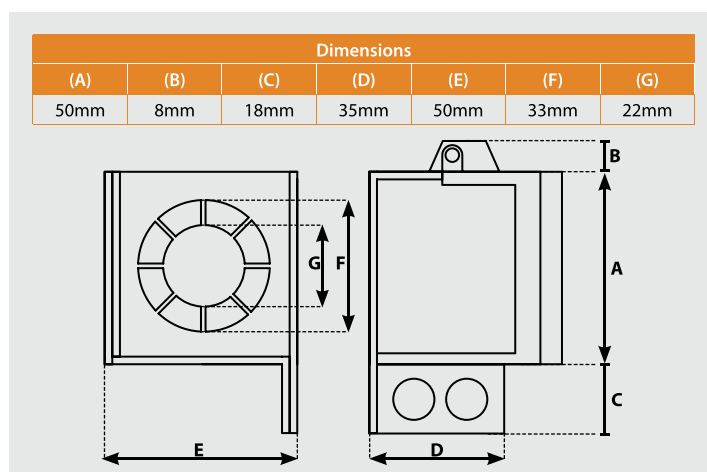


Button Lockout

This Lockout unit fits around the stem of a button which can then be locked out using up to two standard padlocks. Manufactured from Glass Resin Polycarbonate.

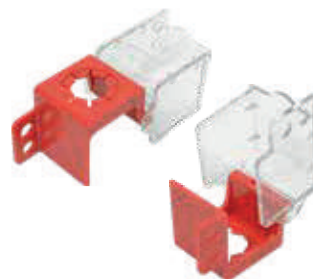
Hole diameter of 22 - 30mm.

Description	Code
Button Lockout	LOK187



IN THE KNOW

STEP 1



STEP 2



STEP 3



Pin and Sleeve Plug Lockout

This Lockout fits onto the rim of the male socket, locking in place and preventing insertion into the socket.

To use, open the Lockout and slip it over the top of the locating tab on the rim of the plug. Close the Lockout and secure it with a padlock and affix a tag to display the relevant safety information.

Fits Plug Size	Code
16A - 125A	LOK168



IN THE KNOW

STEP 1



STEP 2



STEP 3



STEP 4



3 Pin Plug Lockout

Ideal for use with power supplies of computers and similar devices. This Lockout inserts into the back of the power supply and the circular paddle is then rotated to lock the device in position.

A padlock can then be used to prevent the device being removed.

Size	Code
33 x 130 x 29mm	LOK123



Electrical Panel Lockout

Lockout Electrical Panel Buttons and Switches with no inbuilt Lockout provision.

4 different designs.

- 2-stage operation.
- Push / mushroom panel buttons.
- Square units - switch levers.
- Adhesive backing.



Attach the base plate directly onto the electrical panel. Isolate the unit by placing the housing unit over the top preventing access to the switch.

Size	Code
Small Round	LOK064
Large Round	LOK065
Large Square 45°	LOK066
Large Square 90°	LOK067

Description	Dimensions			
	Inside size HxW (A)	Plate size HxW (B)	Cover size HxW (C)	No. of Padlock holes
LOK064 - Small Round	35mm dia.	50 x 50mm	45mm dia.	1
LOK065 - Large Round	45mm dia.	60 x 60mm	55mm dia.	1
LOK066 - Square 45 Degree	65 x 74mm	95 x 95mm	85 x 85mm	2
LOK067 - Square 90 Degree	65 x 74mm	95 x 95mm	85 x 85mm	2

Each unit is supplied complete with ones small Brass padlock and 3 keys.

Gas Cylinder Lockout

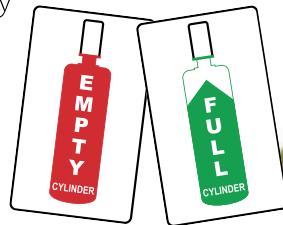
Used to prevent access to the main cylinder valve, the unit encloses the valve head and is locked in place with 2 interlocking plates.

Installs in seconds and provides quick and easy identification of a full cylinder with the security of a padlock to lock the device in place to prevent unauthorised use.

Each Lockout is supplied with 2 extra labels which can be fixed onto the Lockout to depict if the cylinder currently being locked out is full or empty.

**Interior size of 84mm dia. x 150mm,
accepts neck rings up to 34mm dia.**

Size	Code
97mm dia x 160mm	LOK056



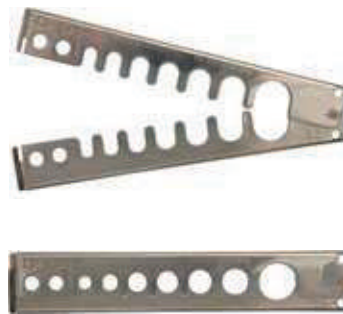
Pneumatic Lockout

Manufactured from solid Stainless Steel this Pneumatic Lockout is strong, durable, resistant to corrosion and fits virtually all pneumatic fittings used in manufacturing facilities.

To use, place the pneumatic male fitting between the appropriate sized hole and close with a scissor action, this then prevents the hose from being used.

Once the Lockout is in its closed position it can be locked using up to 2 safety padlocks.

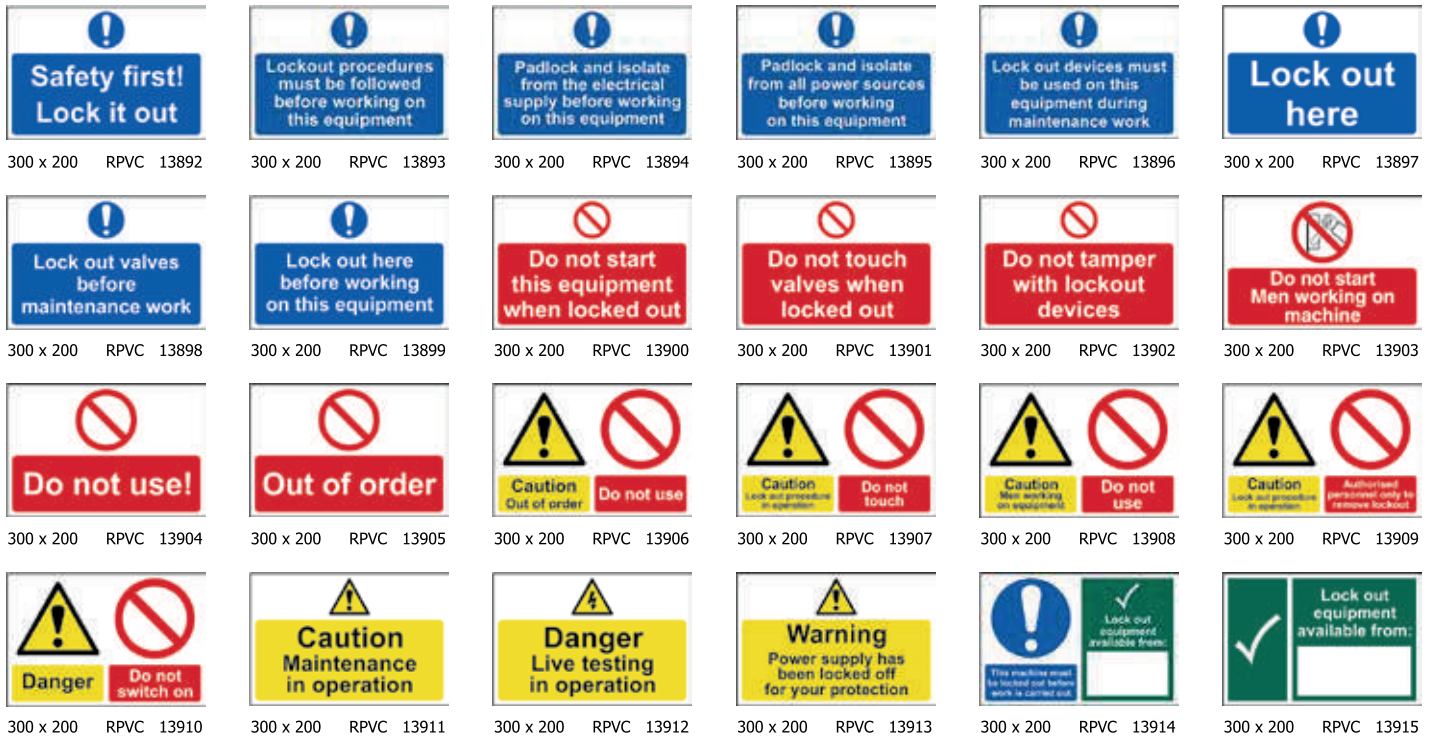
Description	Code
Pneumatic Lockout	LOK063



Lockout Signs

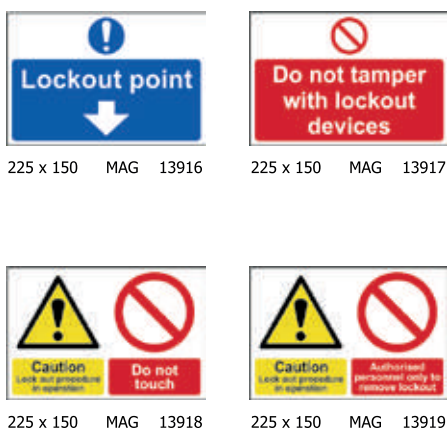
Our Lockout signs are designed to be highly visible for use as a temporary or permanent reminder to adhere to Lockout procedures. Manufactured on rigid PVC, they can be fixed in place using adhesive or pierced and hung at the point of Lockout.

Rigid 1mm PVC board (non adhesive).



Magnetic Lockout Signs

Printed on quality white faced magnetic substrate, these signs are easy to attach and provide clear and important messages at the point of isolation.



Heavy Duty A-Boards

These heavy duty Polypropylene A-Boards are printed on both sides. Ideal for placement around the workplace and near equipment being locked out.

Size: 620 x 300 x 450mm.



Material Key

RPVC Rigid 1mm PVC Board (Non Adhesive)
MAG Magnetic

CUSTOM DESIGN AND MANUFACTURING AVAILABLE ON REQUEST.

PLEASE CONTACT THE SALES OFFICE FOR MORE INFORMATION.

Lockout Stations

Lockout Stations provide a storage solution for your Lockout equipment when not in use.

A Lockout Station should be located wherever it is deemed most appropriate for its desired purpose. This could be next to the equipment to be locked out, in a maintenance department or a central location.



Lockout Station A

Pre-drilled ACP Panel with a Anti-Scuff Laminate

Board dimensions (WxH): 500 x 675mm

Description	Code
Lockout Station A	LOK288

Description	Qty	Code
Red Safety Lockout Padlocks (KD)	5	LOK007-L
Blue Safety Lockout Padlocks (KD)	5	LOK010-L
25mm Stainless Steel Lockout Hasp (Nickel Plated)	2	LOK261
Do Not Operate Tags (Pack of 10)	2	LOK050
Shadow Board Hook	12	HE85L
Lockout Tag Holder	2	LOK154

CONTENTS



Lockout Station B

Pre-drilled ACP Panel with a Anti-Scuff Laminate

Board dimensions (WxH): 1075 x 965mm

Description	Code
Lockout Station B	LOK289

Description	Qty	Code
Red Safety Lockout Padlocks (KD)	12	LOK007-L
Pneumatic Lockout	1	LOK063
25mm Stainless Steel Lockout Hasp (Nickel Plated)	5	LOK261
Do Not Operate Tags (Pack of 10)	2	LOK050
Multi-purpose Cable Lockout with 2.5m Coated Steel Cable	1	LOK013
Ball Valve Lockout (Small)	1	LOK023
Ball Valve Lockout (Large)	1	LOK024
Gate Valve Lockout (25 - 63.5mm)	1	LOK001
Gate Valve Lockout (63.5 - 127mm)	1	LOK002
Gate Valve Lockout (127 - 165mm)	1	LOK003
A4 Wallfix Literature Holder	1	14091
Lockout Tag Holder	2	LOK154
Shadow Board Hook	36	HE85L
Aluminium MCB Lockout Toggle	2	LOK161
Miniature Circuit Breaker Lockout Pin Out Standard	2	LOK205
Miniature Circuit Breaker Lockout Pin In Standard	2	LOK206
Miniature Circuit Breaker Lockout Pin Out Wide	2	LOK208
Covered MCB Lockout	2	LOK277
Wall Mounted Lock Box	1	LOK169

CONTENTS



Non-conductive Station C

Pre-drilled ACP Panel with a Anti-Scuff Laminate

Board dimensions (WxH): 875 x 810mm

Description	Code
Lockout Station C	LOK290

Description	Qty	Code
Red Dielectric Nylon Shackle Safety Lockout Padlocks (KD)	18	LOK068
Dielectric Lockout Hasp	4	LOK054
Do Not Operate Tags (Pack of 10)	2	LOK050
A4 Wallfix Literature Holder	1	14091
Shadow Board Hook	23	HE85L
Multi-purpose Cable Lockout with 2.5m Nylon Cable	1	LOK014
Lockout Tag Holder	2	LOK154

CONTENTS



Lockout Station D

Pre-drilled ACP Panel with a Anti-Scuff Laminate

Board dimensions (WxH): 1050 x 850mm

Description	Code
Lockout Station D	LOK291

Description	Qty	Code
Red Safety Lockout Padlocks (KD)	42	LOK007-L
25mm Stainless Steel Lockout Hasp (Nickel Plated)	10	LOK261
Do Not Operate Tags (Pack of 10)	3	LOK050
Shadow Board Hook	52	HE85L
Lockout Tag Holder	3	LOK154

CONTENTS



Lockout Station E

Pre-drilled ACP Panel with a Anti-Scuff Laminate

Board dimensions (WxH): 855 x 690mm

Description	Code
Lockout Station E	

Description	Qty	Code
Brass Safety Lockout Padlocks	20	
25mm Stainless Steel Lockout Hasp (Nickel Plated)	4	LOK261
Do Not Operate Tags (Pack of 10)	2	LOK050
Shadow Board Hook	52	HE85L
Lockout Tag Holder	2	LOK154

CONTENTS



Advanced Lockout Stations



Advanced Lockout Station (Small)

Multiple padlock positions, each position can hold 2 padlocks, a hasp, several tags and/or Cable Ties. Supplied with cover that enables the station to be locked out. Engineered from Plastic PC.

Board dimensions (HxWxD): 406 x 315 x 65mm

Description	Code
Filled LOK219 Station	LOK231
Board Only	LOK219



Description	Qty	Code
Advanced Station Lock Board (Small)	1	LOK219
Red Safety Lockout Padlocks (KD)	4	LOK007-L
25mm Vinyl Coated Hasp	1	LOK044
Do Not Operate Tags (Pack of 10)	1	LOK050

CONTENTS



Advanced Lockout Station (Large)

Multiple board clips to house padlocks and hasps including additional space for tags and Cable Ties. Supplied with cover that enables the station to be locked out. Engineered from Plastic PC.

Board dimensions (HxWxD): 558 x 393 x 65mm

Description	Code
Filled LOK220 Station	LOK232
Board Only	LOK220



Description	Qty	Code
Advanced Station Lock Board (Large)	1	LOK220
Red Safety Lockout Padlocks (KD)	10	LOK007-L
25mm Vinyl Coated Hasp	1	LOK044
38mm Vinyl Coated Hasp	1	LOK045
Do Not Operate Tags (Pack of 10)	1	LOK050
Do Not Use Tags (Pack of 10)	1	LOK073

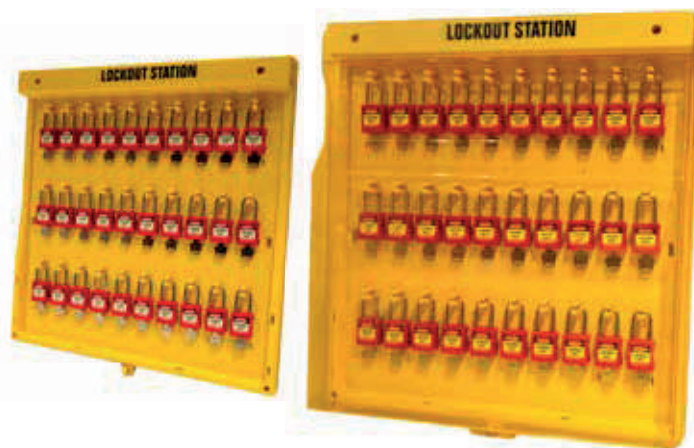
CONTENTS



30 Padlock Station (Lockout Board 1)

Description	Code
Lockout Board 1 with Cover	LOK270
Lockout Board 1 without Cover	LOK271

Description	Qty	Code
Red Safety Lockout Padlocks (KD)	30	LOK007-L



10 Station - Large (Lockout Board 2)

Description	Code
Lockout Board 2 with Cover	LOK272
Lockout Board 2 without Cover	LOK273

Description	Qty	Code
Red Safety Lockout Padlocks (KD)	10	LOK007-L
Vinyl Coated Lockout Hasp (25mm)	2	LOK044
Vinyl Coated Lockout Hasp (38mm)	2	LOK045
Safety Tag Pen - Ultra Fine (Black)	1	TGPEN01
Do Not Operate Tags (Pack of 10)	1	LOK050
Caution This Equipment Has Been Locked Out (Pack of 10)	1	LOK080

CONTENTS



Electrical Station (Lockout Board 3)

Description	Code
Lockout Board 3 with Cover	LOK274
Lockout Board 3 without Cover	LOK275

Description	Qty	Code
Red Dielectric Nylon Shackle Safety Lockout Padlocks (KD)	6	LOK068
Non-Conductive Lockout Hasp (6 Holes)	2	LOK046
Non-Conductive Lockout Hasp (3 Holes)	2	LOK053
Do Not Operate Tags (Pack of 10)	1	LOK050
Caution This Equipment Has Been Locked Out Tag (Pack of 10)	1	LOK080
Lockout Shell Case/Pouch	1	LOK189
Universal Circuit Breaker Lockout	2	LOK043
Aluminium MCB Lockout Toggle	2	LOK161
Miniature Circuit Breaker Lockout (Pin Out Standard)	1	LOK205
Miniature Circuit Breaker Lockout (Pin In Standard)	1	LOK206
Miniature Circuit Breaker Lockout (Tie Bar)	1	LOK207
Miniature Circuit Breaker Lockout (Pin Out Wide)	1	LOK208
Universal Extra Large Circuit Breaker Lockout	1	LOK142
Universal Fuse Circuit Breaker Lockout	1	LOK140
Safety Tag Pen - Ultra Fine (Black)	1	TGPEN01

CONTENTS



The absence of any equipment is immediately apparent when using a lockout station and the missing items can be traced or replenished.

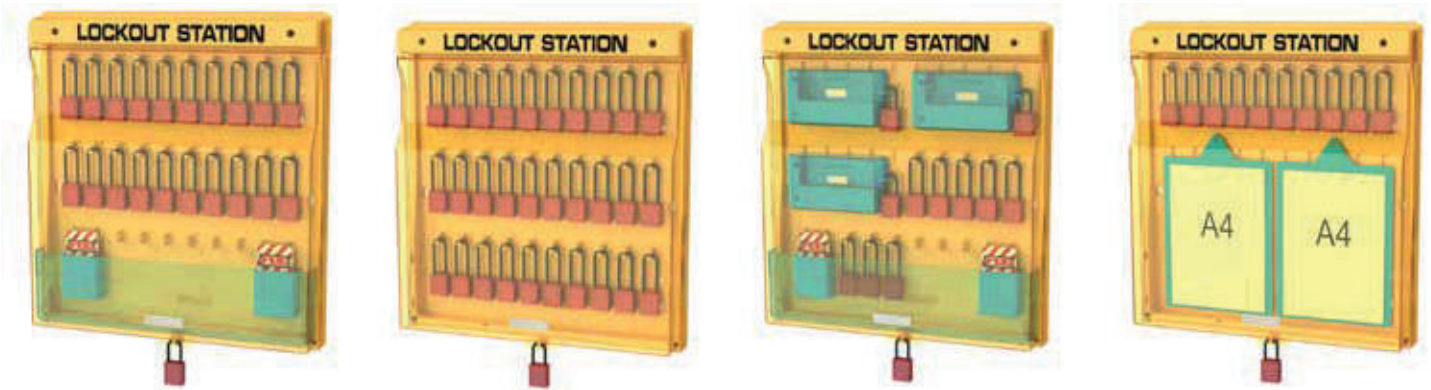
Lockout Stations: Build Your Own

Personalised Lockout Stations are easily created with our new combination boards.

Each board has integral locator holes which allow the fitting of a variety of board components, giving the freedom to design the Station the way you want it. Simply tell us what components are required and we will build the board to your specifications.

(Stations can be supplied with or without contents).

Examples of available combinations:



Lockout Station Board

- Lockout Station Backing Board

Size (HxWxD): 601 x 590 x 96mm

Code LOK223



Enclosed Pocket

- Ideal for holding keys, phones etc
- Integral padlock fixing hole

Size (HxWxD): 105 x 165 x 27mm

Code LOK221



Station Cover

- Covers the whole board
- Lockable at the bottom

Size (HxWxD): 600 x 570 x 70mm

Code LOK224



A4 Plastic Clipboard

- Hard Plastic clipboard
- Ideal for displaying work permits and other documentation

Size (HxWxD): 330 x 227mm

Code LOK227



Extra Wide Pocket

- Full width board pocket
- House cable lockouts, padlocks or non hanging Lockout devices

Inner Size (HxWxD): 135 x 556 x 135mm

Code LOK222



Board Clip

- Allow padlocks and hasps to be hung on the board

Code LOK226



Small Pocket

- Ideal for holding Lockout tags

Inner Size (HxWxD): 85 x 77 x 30mm

Code LOK225



**REMEMBER IF YOU NEED PADLOCKS YOU CAN FIND THEM ON PAGE 4
LOCKOUT TAGS ON PAGE 38,
AND PERMANENT PENS ON PAGE 39.**

Tag Station

As storage stations for tags, these are ideal for large maintenance depots or departments. Made of durable acrylic, featuring eight or ten plastic tag holders.

Supplied with wall fixings.

Size (HxWxD)	Code
Filled 8 Tag Station	LOK233
8 Tag Station - 445 x 445 x 45mm (Station Only)	LOK153
Filled 10 Tag Station	LOK234
10 Tag Station - 540 x 408 x 100mm (Station Only)	LOK218

The filled stations come with a selection of our most popular tags, alternatively choose 8 or 10 tags single sided from those detailed on page 38.

Please confirm your selection when ordering, if no selection is made when ordering we will supply a range for you.



Lockout Tagout Station (Window)

Yellow cabinet with 2 adjustable shelves and plastic window

- Quality powder coated steel
- Wall mountable
- Fixings included
- 2 keys included



Size (HxWxD)	Code
410 x 360 x 155mm	LOK151

Small Tag Station

- Holder for a single pack of tags
- Complete with fixings
- Tags not included



Size (HxWxD)	Code
230 x 130 x 30mm	LOK154

Lockout Tagout Station

Yellow cabinet with 2 adjustable shelves and carry handle

- Quality powder coated steel
- Wall mountable
- Fixings included
- 2 keys included
- Integrated carry handle



Size (HxWxD)	Code
410 x 360 x 155mm	LOK060

'Tag and Tie' Station

High-quality plastic tag holder with 3 hooks for padlocks and hasps

- Ideal for storing tags, plastic cable ties and markers
- Complete with fixings
- Tags not included



Size (HxWxD)	Code
250 x 145 x 40mm	LOK149

FIND OUR FULL RANGE OF LOCKOUT TAGS ON PAGE 38



Lockout Kits

Our pre-selected kits are designed to cover most common needs. Ideal for keeping essential Lockout equipment in one convenient place, without the need to return to a Lockout Station.

Each kit is supplied in a carry case and provides a convenient choice for any Lockout professional.

Residential Electrical Lockout Kit

Description	Code
5 Piece Kit	LOK228

Description	Qty	Code
Lockout Shell Case/Pouch	1	LOK189
Red Safety Lockout Padlocks (KD)	1	LOK007-L
Aluminium MCB Lockout Toggle	1	LOK161
Single Tag with Eyelet (Double Sided)	1	LOK241
Ultra-fine Permanent Pen	1	TGPEN01

CONTENTS



5
PIECE

Electrical Lockout Kit

Description	Code
11 Piece Kit	LOK229

Description	Qty	Code
Lockout Shell Case/Pouch	1	LOK189
Red Safety Lockout Padlocks (KD)	2	LOK007-L
Single Tag with Eyelet (Double Sided)	2	LOK241
Miniature Circuit Breaker Lockout Pin Out Standard	1	LOK205
Miniature Circuit Breaker Lockout Pin In Standard	1	LOK206
Miniature Circuit Breaker Lockout Pin Out Wide	1	LOK208
Yellow Miniature Circuit Breaker Lockout (Universal)	1	LOK121
Yellow Miniature Circuit Breaker Lockout (Type 1)	1	LOK122
Ultra-fine Permanent Pen	1	TGPEN01

CONTENTS



11
PIECE



Advanced Electrical Lockout Kit

Description	Qty	Code
Lockout Shell Case/Pouch	1	LOK189
Red Safety Lockout Padlocks (KD)	2	LOK007-L
Non-Conductive Lockout Hasp (6 Holes)	1	LOK046
Pneumatic Lockout	1	LOK063
Miniature Circuit Breaker Lockout Pin Out Standard	1	LOK205
Miniature Circuit Breaker Lockout Pin In Standard	1	LOK206
Miniature Circuit Breaker Lockout Pin Out Wide	1	LOK208
Miniature Circuit Breaker Lockout Tie Bar	1	LOK207
Universal Fuse Circuit Breaker Lockout	1	LOK140
Universal Extra Large Circuit Breaker Lockout	1	LOK142
Universal Circuit Breaker Lockout	1	LOK043
Do Not Operate Tags (Pack of 10)	1	LOK050
Universal Miniature Circuit Breaker Lockout	1	LOK141
Ultra-fine Permanent Pen	1	TGPEN01

CONTENTS



Description	Code
15 Piece Kit	LOK251

Maintenance Lockout Kit

Description	Qty	Code
Lockout Shell Case/Pouch	1	LOK189
Red Safety Lockout Padlocks (KD)	2	LOK007-L
Single Tag with Eyelet (Double Sided)	2	LOK241
Miniature Circuit Breaker Lockout Pin Out Standard	1	LOK205
Miniature Circuit Breaker Lockout Pin In Standard	1	LOK206
Miniature Circuit Breaker Lockout Pin Out Wide	1	LOK208
Universal Circuit Breaker Lockout	1	LOK043
Aluminium Miniature Circuit Breaker Lockout Toggle	1	LOK161
Multi-purpose Cable Lockout with 2.5m Coated Steel Cable	1	LOK013
Non-Conductive Lockout Hasp (6 Holes)	1	LOK046
Ultra-fine Permanent Pen	1	TGPEN01

CONTENTS



Description	Code
13 Piece Kit	LOK230

Electrical Maintenance Kit

Description	Qty	Code
Lockout Shell Case/Pouch	1	LOK189
Red Dielectric Nylon Shackle Padlock	2	LOK068
Non-Conductive Lockout Hasp (6 Holes)	1	LOK127
Miniature Circuit Breaker Lockout Pin Out Standard	1	LOK205
Miniature Circuit Breaker Lockout Pin In Standard	1	LOK206
Miniature Circuit Breaker Lockout Tie Bar	1	LOK207
Miniature Circuit Breaker Lockout Pin Out Wide	1	LOK208
Covered Miniature Circuit Breaker Lockout	1	LOK277
Universal Circuit Breaker Lockout	1	LOK043
Do Not Operate Tags (Pack of 10)	2	LOK050
Multi-purpose Cable Lockout with 2.5m Coated Steel Cable	1	LOK013

CONTENTS



Description	Code
13 Piece Kit	LOK292

FOR ADDITIONAL PADLOCKS AND KEYS PLEASE SEE PAGE 4

Small Lockout Kit

Description	Qty	Code
Premium Lockout Bag	1	LOK248
Red Safety Lockout Padlocks (KD)	2	LOK007-L
Multi-purpose Cable Lockout with 2.5m Coated Steel Cable	1	LOK013
Vinyl Coated Lockout Hasp (38mm)	1	LOK045
Do Not Operate Tags (Pack of 10)	1	LOK050
Ultra-fine Permanent Pen	1	TGPEN01
Adjustable Gate Valve	1	LOK006
Small Ball Valve Lockout	1	LOK023
Universal MCB Lockout	1	LOK043
Pneumatic Lockout	1	LOK063

CONTENTS

Description	Code
11 Piece Kit	LOK250



11
PIECE

Medium Lockout Kit

Description	Qty	Code
Premium Lockout Bag	1	LOK248
Small Ball Valve Lockout	1	LOK023
Multi-purpose Cable Lockout with 2.5m Coated Steel Cable	1	LOK013
Vinyl Coated Lockout Hasp (25mm)	1	LOK044
Vinyl Coated Lockout Hasp (38mm)	1	LOK045
Red Safety Lockout Padlocks (KD)	2	LOK007-L
Do Not Operate Tags (Pack of 10)	1	LOK050
Ultra-fine Permanent Pen	1	TGPEN01
Caution Lockout A-Board	1	4707
Adjustable Gate Valve Lockout	1	LOK006
Miniature Circuit Breaker Lockout Pin Out Standard	1	LOK205
Universal Circuit Breaker Lockout	2	LOK043
Pneumatic Lockout	1	LOK063

CONTENTS

Description	Code
15 Piece Kit	LOK116



15
PIECE

Large Lockout Kit

Description	Qty	Code
Premium Lockout Bag	1	LOK248
Small Ball Valve Lockout	1	LOK023
Large Ball Valve Lockout	1	LOK025
Multi-purpose Cable Lockout with 2.5m Coated Steel Cable	2	LOK013
Vinyl Coated Lockout Hasp (25mm)	2	LOK044
Vinyl Coated Lockout Hasp (38mm)	2	LOK045
Red Safety Lockout Padlocks (KD)	6	LOK007-L
Do Not Operate Tags (Pack of 10)	3	LOK050
Ultra-fine Permanent Pen	2	TGPEN01
Gate Valve Lockout (25 - 63.5mm)	1	LOK001
Gate Valve Lockout (63.5 - 127mm)	1	LOK002
Gate Valve Lockout (127 - 165mm)	1	LOK003
Caution Lockout in Operation A-Board	1	4707
Plug / Pneumatic Lockout (Large)	1	LOK030
Miniature Circuit Breaker Lockout Pin Out Standard	1	LOK205
Miniature Circuit Breaker Lockout Pin In Standard	1	LOK206
Miniature Circuit Breaker Lockout Pin Out Wide	1	LOK208
Universal Circuit Breaker Lockout	2	LOK043
Pneumatic Lockout	1	LOK063
3-Phase Dial Lockout	1	LOK055

CONTENTS

Description	Code
32 Piece Kit	LOK117

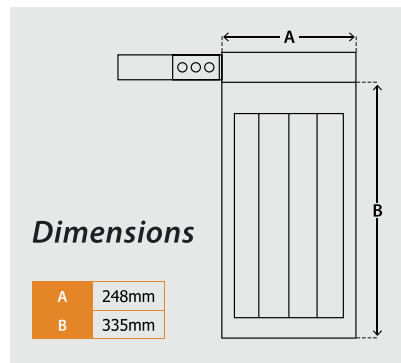


32
PIECE

Plug and Hoist Control Cover

Manufactured using hard wearing polyester cloth with reinforced inserts and a PVC liner. Used to enclose plugs and hanging control panels.

Colour	Code
Red	LOK216



Premium Lockout Pouch

Hard shell nylon pouch with integral pocket webbing.

Dimensions (HxWxD)	Code
75 x 265 x 165mm	LOK189



Belt Pouch

Three pocket belt pouch made from woven nylon with 3 pockets and adjustable waist strap suitable for up to a 40" waist.

Size	Code
up to 40" waist	LOK072



Premium Lockout Bag

High quality nylon lockout bag with reinforced solid waterproof base. Complete with detachable shoulder strap and 3 pockets.

Dimensions (HxWxD)	Code
300 x 460 x 280mm	LOK248



Lockout Satchel

Large satchel type lockout bag, waterproof and suitable for carrying larger lockout equipment over the shoulder.

Colour	Code
Red	LOK057



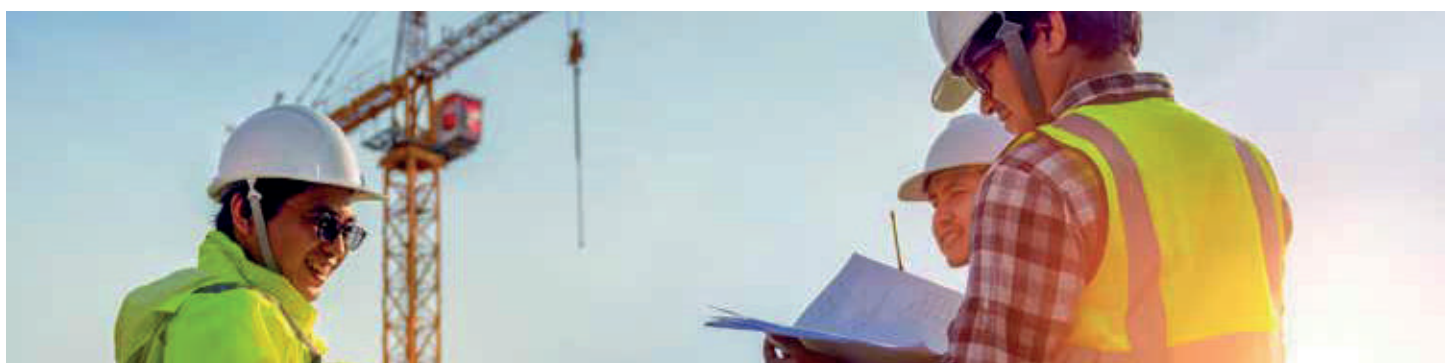
CAN'T FIND WHAT YOU'RE LOOKING FOR?
**WHY NOT BUILD YOUR OWN
 KIT USING COMPONENTS
 ON PAGES 4 - 39**

CHOOSE A BAG, BOX OR POUCH,
 THEN SELECT YOUR LOTO EQUIPMENT.
 DON'T FORGET PENS - FIND THEM ON PAGE 39.

Lockout Toolbox

Sturdy Plastic toolbox with Steel catches, in-lid storage and tote tray.

Dimensions (HxWxD)	Code
265 x 295 x 555mm	LOK249



Lockout Tags

These highly visible warning tags should be applied alongside a Lockout device to provide details of the Lockout procedure. Manufactured from durable non-tear Polypropylene using UV resistant inks which is resistant to water, oils and extreme temperatures.



Single Sided Lockout Tags

Single-sided and supplied in packs of 10 complete with Cable Ties.

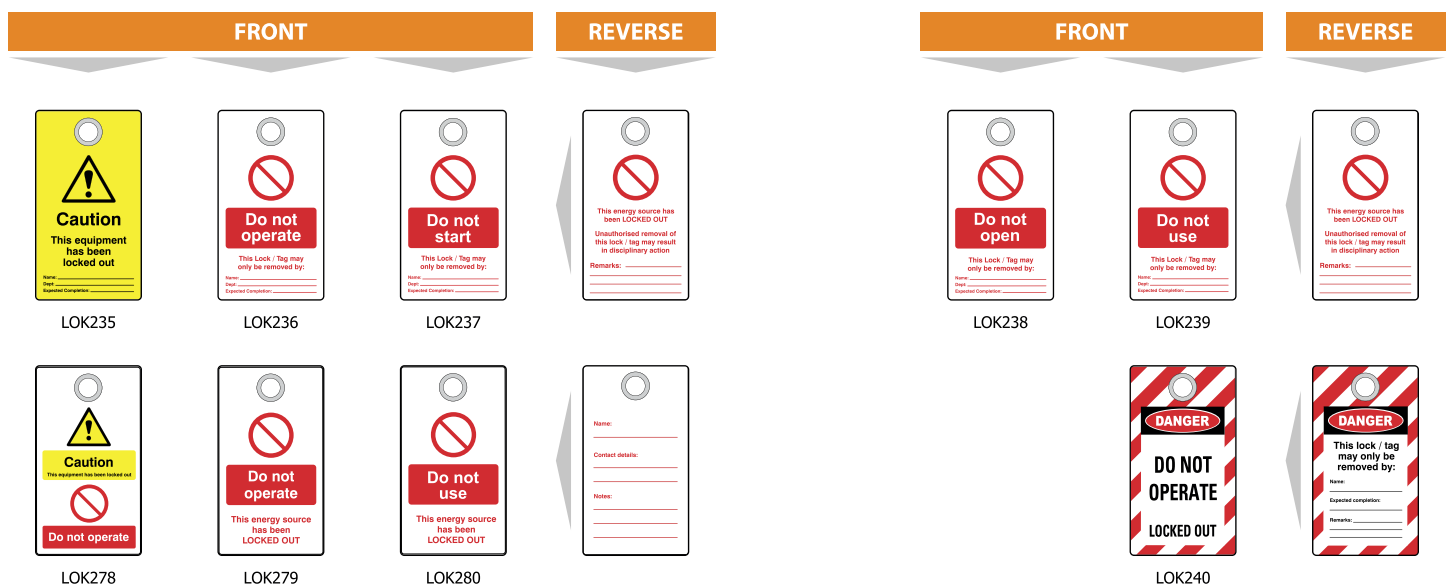
Size: 75 x135mm



Lockout Tags with Eyelet

Designed to be placed directly on the lock shackle through the tag. Double-sided and supplied packs of 10. Complete with eyelet for use without a tie wrap.

Size: 75 x135mm



Double Sided Lockout Tags

Tags are printed on both sides. Supplied in packs of 10 complete with Cable Ties.

Size: 75 x 135mm



FRONT					REVERSE
LOK083	LOK084	LOK080	LOK081	LOK082	
LOK088	LOK089	LOK085	LOK086	LOK087	
LOK093	LOK094	LOK090	LOK091	LOK092	
LOK078	LOK050	LOK051	LOK052	LOK073	
LOK079	LOK074	LOK075	LOK076	LOK077	



WE CAN PRINT BESPOKE TAGS TO SUIT YOUR SPECIFICATION.

ASK US FOR MORE DETAILS.



Permanent Fine Liner Pen

These permanent ultra-fine marker pens can write on almost any surface. The waterproof and smudge proof ink dries in seconds with almost no odour, and is ideal for use with our tags and padlocks.

Quantity	Code
Each	TGPEN01
Pack of 10	TGPEN02





logolabelsltd



T: 0141 779 3574



E: signs@logolabels.co.uk



W: www.logolabels.co.uk

logolabelsltd

MANUFACTURER & SUPPLIER OF ALL TYPES OF SIGNS, LABELS & TAGS